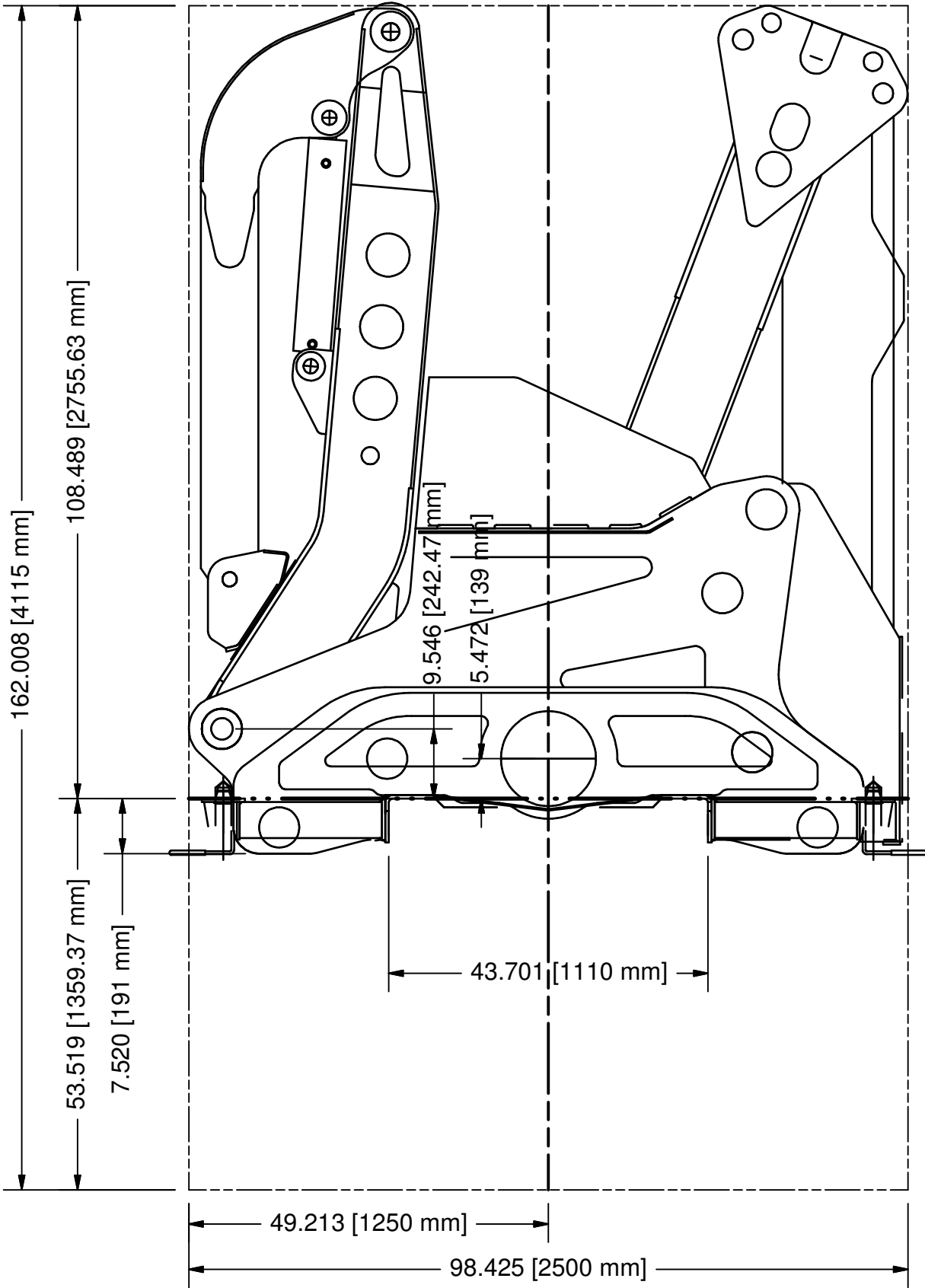


REV	DESCRIPTION	DATE



SWING THRU' <small>THIS DRAWING AND DESIGN IS THE PROPERTY OF SWING THRU' ©</small>		SWING THRU' International Limited P.O.Box 1148, DUNEDIN, NEW ZEALAND. PH 64 3 4718460		 DO NOT SCALE IF IN DOUBT - ASK
		STKE-35T SWING THRU' END ELEVATION ENVELOPE (4115mm)		
DRAWN SEG	CHECKED DATE	DATE 09-02-09	APPROVED DATE	SHEET SIZE A4
SCALE 1:20		STKEU101A		
ALL UNITS IN MILLIMETRES				

